

**FEATURES**
**5W Constant Voltage LED Driver**
**LXLV-005 Series**

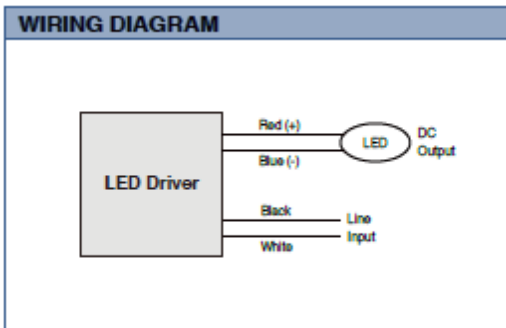
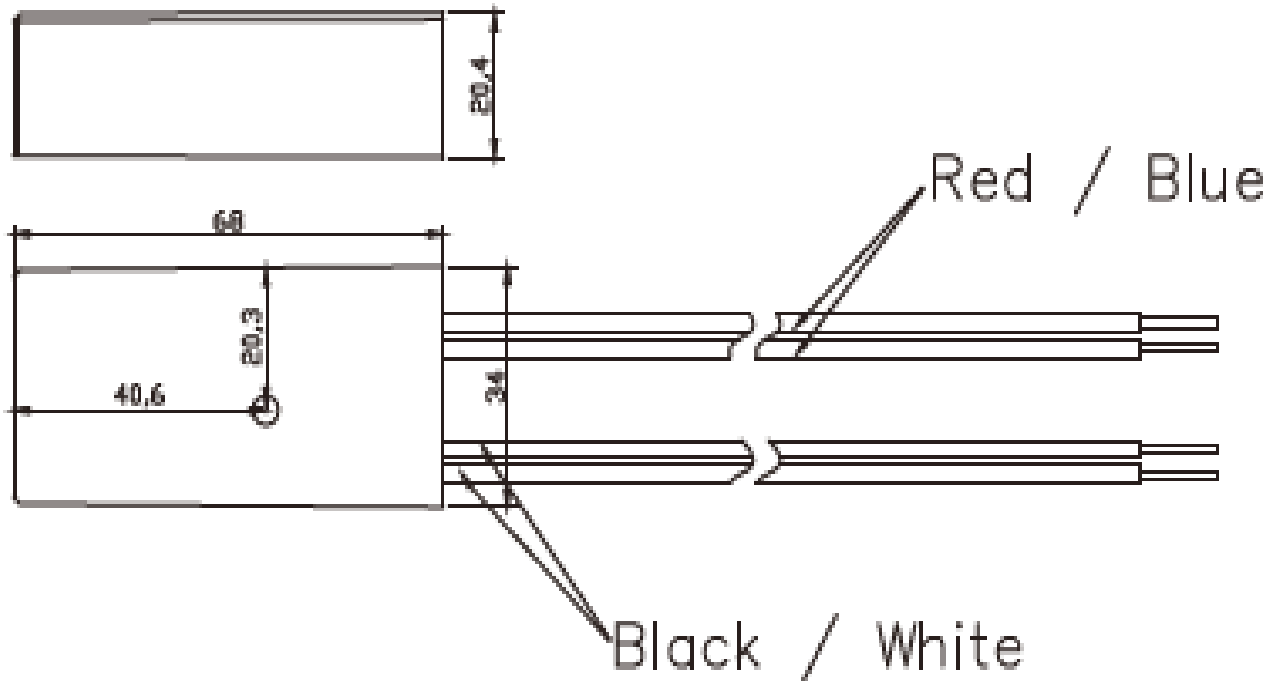
- Input Voltage 120VAC +/- 10% Input
- Total Power 5W
- Protection : Over Current and Short Circuit
- IP20 Design for Dry and Damp Location
- 5 YEAR warranty; Sign Components manual (SAM)


**SPECIFICATIONS**

Model #	Output Current Range	Output Voltage	Max Output power	Remote mounting distance (#18 AWG)	Efficiency 120V
LXLV-005S004PS-20	0 ~ 1.1A	4.5V	5W	16 ft	73%
Input	Voltage Range	120 Vac ±10%			
	Frequency Range	50/60Hz			
	Inrush Current	7A @ 120V			
	Power Factor	>0.5 @ full load , 120 through 277V			
	AC Current (Max.)	0.11A @120V			
	THD	<200%			
Output	Overshoot	<10% at full load condition			
	Voltage Tolerance	+/- 5% at full load condition			
	Load Regulation	+/- 2%			
	Line Regulation	+/- 1%			
	Ripple & Noise (pk-pk)	<10%			
	Leakage current	0.5mA max. at 277Vac			
	No load Power Consumption	<1W			
Protection	Protection	Over Current: Hic-up Mode, Auto recovery when fault is removed.			
		Over Voltage: Hic-up Mode, Auto recovery when fault is removed.			
		Short Circuit: Hic-up Mode, Auto recovery when fault is removed.			
Withstand Voltage	I/P – O/P 2800 Vdc, 2mA				
Environmental	Temperature Range	Operational	- 40 ~ 60°C		
		Storage	- 40 ~ 85°C		
	Humidity	5 ~ 95% RH			
	Case Temperature (Max.)	90°C			

Safety & EMC	Safety Standards	UL8750 pending			
	EMC Immunity	EN61000-3-2, FCC, 47CFR Part 15 Class B(Consumer Limit)			
Others	MTBF	583,000 hours at 40°C ambient (~70°C Case temp)			
	Life Time	80,000 Hours at 120Vac input, 100% Load and 60 C case temp.			
	Dimensions	(L*W*H*M) 2.68*1.30*0.79 inches / 68*33*20 millimeters			
	Weight	0.1kg / Plastic case			

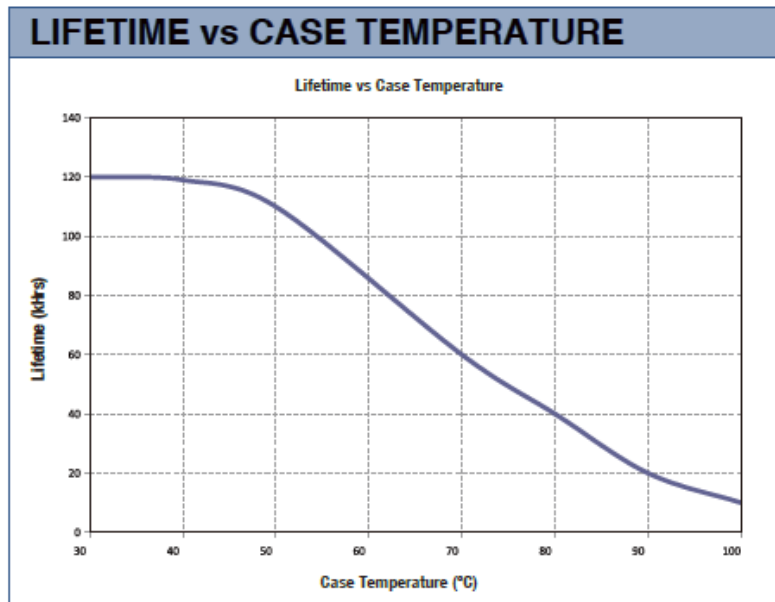
Mechanical Specification



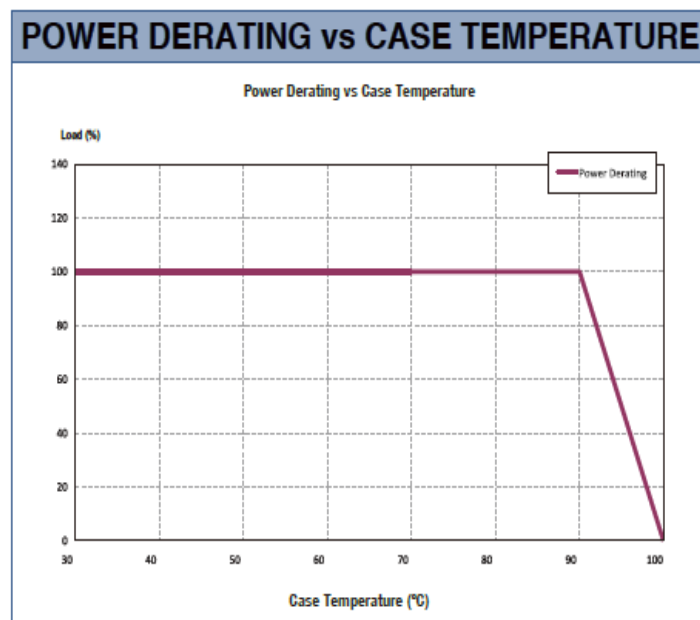
Wire Specification

Wire Specification	
Input	12", UL 1316 #18AWG (White, Black )
Output	12", UL 1316 #18AWG (Red and Blue)

Life Time vs. Case Temperature Curve



Power derating vs. Case Temperature



## PART NUMBER SCHEME

LXLV-005SxxxPS-x20

LX=LED Driver Series

L= Input Voltage 120 Vac

V= Constant Voltage

- = Non-Dimming

005= Output Power (Watts)

20= IP20

X= J: Junction Box, N: W2 Narrow Metal Case, L: L5 Long Metal Case, W: White

S= Class II, 2 Wire Input

P= Plastic Case

xxx= Rated Voltage

S= Single Output

SPECIFICATIONS ARE SUBJECT TO CHANGE WITHOUT NOTICE. AUTEC IS NOT RESPONSIBLE FOR ISSUES ARISING FROM ERRORS OR OMISSIONS