



LXLCT025 Series	
Constant current LED driver	
Total power: 25W	
Input voltage: 120Vac ± 10%	
Number of outputs: One	
UL 8750	
IP20 or IP66 design	
Dimmable with trailing edge dimmer	
5 year warranty	

ELECTRICAL SPECIFICATIONS:		ENVIRONMENTAL SPECIFICATIONS:	
Input voltage range:	120Vac ± 10%	Operating temperature:	-30 to 60°C
Frequency:	50/60Hz	Storage temperature:	-40 to 85°C
Power factor:	>0.9 @full load, 120V through 277V	Humidity:	5% to 95%
Inrush current:	7A @230V	MTBF:	374,000 hours at 40°C ambient (~70°C Case temp)
Max input current:	0.28A @ 120V and 0.13A @ 277V	Maximum case Temperature	90°C
THD:	<20%		
Protection:	Over voltage, Over current and Short circuit		
Withstand voltage	I/P – O/P 2k Vac		

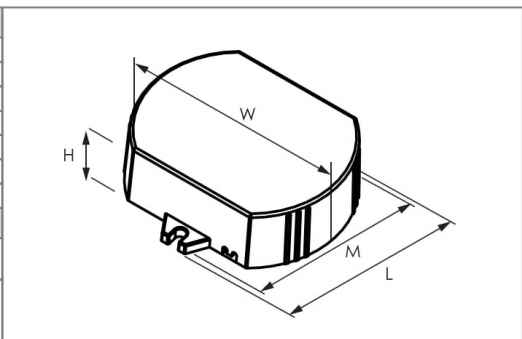
PRODUCT SPECIFICATIONS:							
Model Number	Max output power	Output Current	Output Voltage	Efficiency	Remote mounting distance (#18 AWG)	Class 2	
						US	Canada
LXLCT025S035PS	25W	350mA	24 - 72V	80%	109 ft		
LXLCT025S050PS	25W	500mA	17 - 50V	80%	76 ft	√	
LXLCT025S070PS	25W	700mA	12 - 36V	80%	54 ft	√	√

SAFETY AND EMC COMPLIANCE:	
UL/cUL	UL 8750
FCC, 47CFR Part 15	Class B Consumer Limit
EN61000-3-2	

PHYSICAL DIMENSIONS:	
Length (L):	3.07"
Width (W):	3.15"
Height (H):	1.00"
Mounting (M):	2.76"
Weight:	0.19 kg

WIRE SPECIFICATIONS:	
Input:	12", UL 1316 #18AWG (Black and White)
Output:	12", UL 1316 #18AWG (With Non-Class 2 output) 12", UL 1316/1430 #22AWG (With Class 2 output) (Red and Blue)



--	--	--

