

**600W MEDICAL AC/DC MODULAR POWER SUPPLY**

Sales / Technical Support: +1-818-338-7788 Option 3  
Email: sales@autecpower.com

■ **Features**

- Supply Voltage: 85-264Vac
- Configurable Outputs
- Small Footprint 5"x3"x1.61"
  - 600 Watts in 3" x 5" x 1.61"
  - User and field configurable
  - Wide output voltage adjust range
  - Remote current / voltage programming
  - Efficiency up to 89%
  - Intelligent fan control
  - Parallel and series connection of modules
  - Standard 5V 200mA bias supply (1A option)
  - Accurate current sharing
  - Up to 8 isolated outputs
  - Low noise option
  - UL60601 3rd Edition approved
  - 3 Year warranty



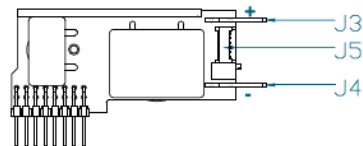
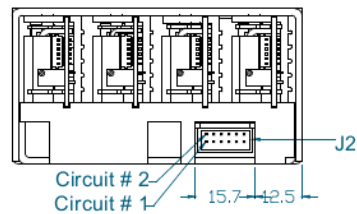
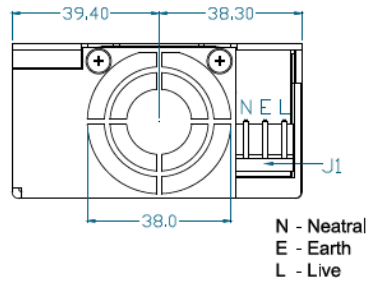
■ **Model List**

INPUT ELECTRICAL						
Parameter	Details	Min	Type	Max	Units	
AC input voltage	Nominal range is 100Vrms to 240Vrms	85		264	Vrms	
AC input frequency	Contact factory for 400Hz operation.	47	50/60	63	Hz	
DC input voltage	Medical	120		300	Vdc	
Power rating	See graphs for deratings			600	Watts	
Input current	600Watts output at 120Vrms input			6	Amps	
Inrush current	265Vrms (cold start)			20	Amps	
Fusing	5x20 Fast acting			8	Amps	
Input current limit	Maintains power factor		8		Amps	
Efficiency	See graphs		86	89	%	
Idle power	All outputs fitted and enabled		28		Watts	
Idle power	All outputs fitted and Disabled		21		Watts	
Power factor	Typical value for 300Watts output at 240Vrms input		0.96	0.99		
Holdup	600Watts output at 120Vrms input	17	20	21	mS	
UVLO	Turn on only	78		84	Vrms	
Over temperature	Internally monitored. Latching	115		125	°C	
Reliability	40°C 80% load			2	FPMH	
SIGNALS	Bias voltage		4.8	5	5.2	V
	Bias current		0		200	mA
	Power good voltage	PNP open collector with internal 10k pull down resistor	8	10	15	V
	Power good current		0		20	mA
	Inhibit voltage		2		15	V
	Inhibit current	10k ohm input impedance	0.2		1.5	mA
	Global inhibit voltage		3		15	V
	Global inhibit current	5k ohm input impedance	0.6		3	mA
	AC_OK voltage		1		4	V
	AC_OK current		-10		20	mA
AC_OK warning	See user manual for exceptions	5			mS	

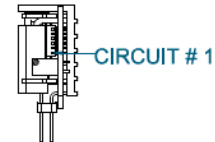
INSTALLATION			
Parameter	Details	Parameter	Details
Equipment class	I	Flammability rating	94V-2
Installation category	II	IP rating	IP10
Pollution degree	2	ROHS compliance	2011/65/EC
Material group	IIIb (indoor use only)		

## ■ Connectors

PINOUTS		
J1		
Circuit	Details	
1	Live	
2	Earth	
3	Neutral	
J2		
Circuit	Details	
1	Power good	Slot A
2	Inhibit	
3	Power good	Slot B
4	Inhibit	
5	Power good	Slot C
6	Inhibit	
7	Power good	Slot D
8	Inhibit	
9	Global inhibit	
10	AC OK	
11	+5V 200mA bias supply	
12	COM	
J5		
Circuit	Details	
1	-Sense	
2	+Sense	
3	Voltage control	
4	Current control / share / out	
5	COM	
6	+5V local bias supply	

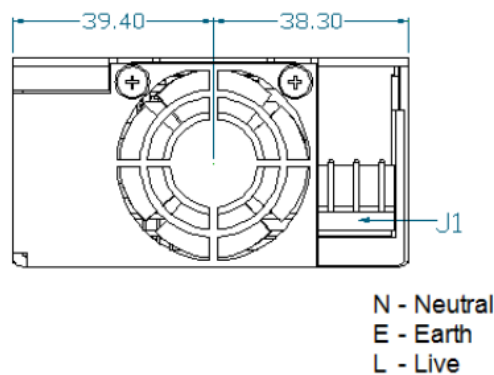


J3
Positive output
J4
Negative output

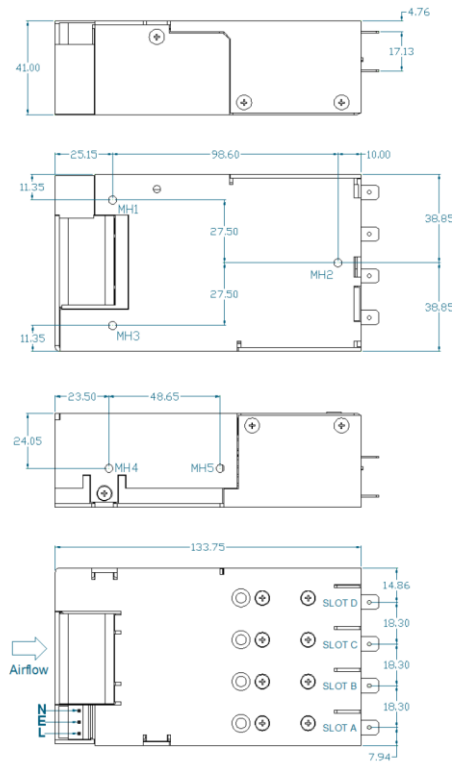


## ■ Mechanical Design

MECHANICAL	
Parameter	Details
Size	77.7mm x 133.7mm x 41.0mm (all external dimensions $\pm 1.0$ mm)
Weight	360 gram + 60 gram per output module
Mounting	Bottom or side mounting (see diagram for details)



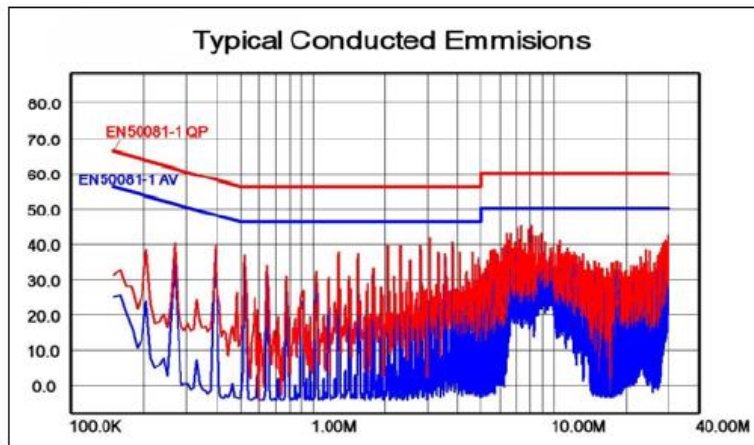
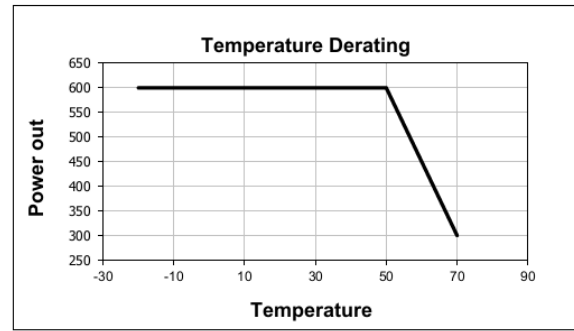
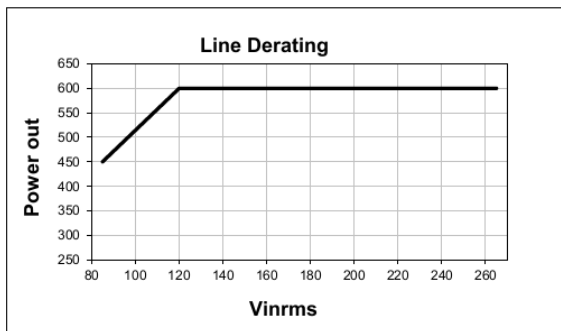
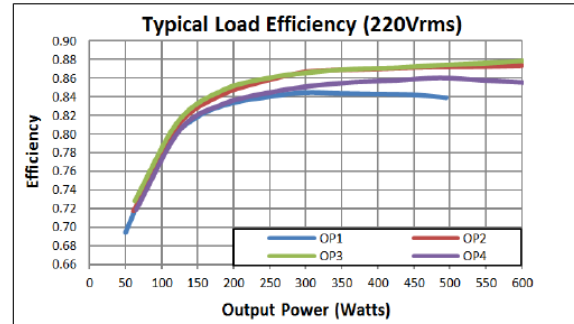
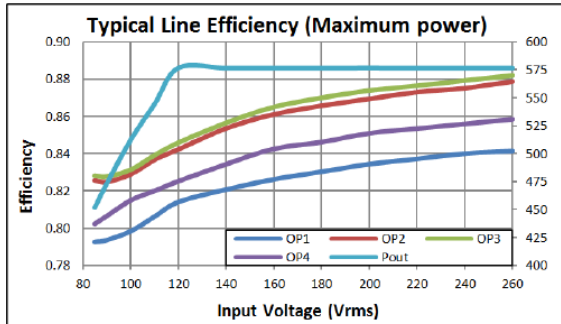
600W MEDICAL AC/DC MODULAR POWER SUPPLY



SCREWS	
MH1, MH2, MH3, MH4, MH5	
Screw type	M4
Tightening	Tighten to 0.55 Nm <sup>(1)</sup>
Penetration depth	4.00mm max including chassis
OUTPUT MODULES x 8	
Screw type	M3x5, C/Sink, Posi, Stainless Steel
Tightening	Tighten to 0.35 Nm <sup>(1)</sup>
Penetration depth	Defined by screw
CHASSIS x 5	
Screw type	M3x5, C/Sink, Posi, Stainless Steel
Tightening	Tighten to 0.35 Nm <sup>(1)</sup>
Penetration depth	Defined by screw
FAN x 2	
Screw type	M3x30, C/Sink, Posi, Stainless Steel
Tightening	Tighten to 0.35 Nm <sup>(1)</sup>
Penetration depth	Defined by screw
1. Torque settings are for general reference only. The torque settings shown in the datasheet are the insert manufacturers recommended values.	

REF.	DETAILS	MANUFACTURER	HOUSING	TERMINAL
J1	MAINS INPUT: 3 Pin, 5.08mm, with Friction Lock, 18-24 AWG	MOLEX	10013036	0008701031
J2	GLOBAL SIGNALS: 12 Pin, 2mm, without Friction Lock, 24-30 AWG	MOLEX	511101251	0503948051
J3/4(1)	OUTPUT POWER TERMINAL: TAB SIZE 6.35mmx0.8mm	VARIOUS		VARIOUS
J5	OUTPUT SIGNALS: 6 Pin, 1.25mm, with Friction lock, 28-32 AWG	MOLEX	0510210600	0500588000
<small>Notes</small> 1. Terminal and wire current rating must exceed maximum short circuit output current. Eg. Output 1 = 25A*1.25 = 31.25Amps 2. Direct equivalents may be used for any connector parts 3. All cables must be rated 105°C min, equivalent to UL1015				

■ Typical Efficiency, De-rating, and Emission Curves



IEC 60601-1: 1998 + A1: 1991 + A2: 1995  
 UL60601-1: 2006  
 CAN/CSA-C22.2 No. 60601-1 (2008)  
 ANSI/AAMI ES60601-1 (2005 + C1:09 + A2:10)  
 CE MARK - LVD 2011/65/EU

Please contact the factory to obtain your configuration and final call-out based on your output requirements.